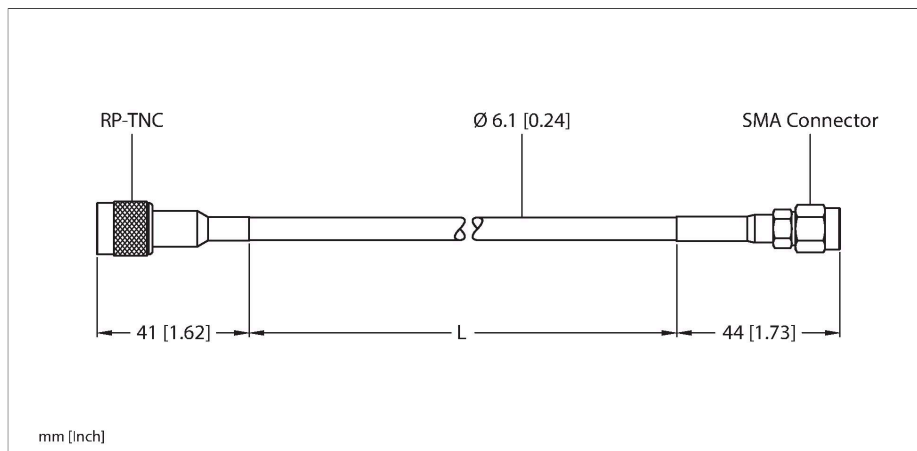


TN-UHF-CBL-HF240-RPTNC-10-SMA

Accessories – Coaxial Cable for Passive UHF Antennas



Technical data

Type	TN-UHF-CBL-HF240-RPTNC-10-SMA
ID	100028196
Cable quality	10 m
Damping	2.5 dB
Packaging unit	1

Features

- RP-TNC to SMA